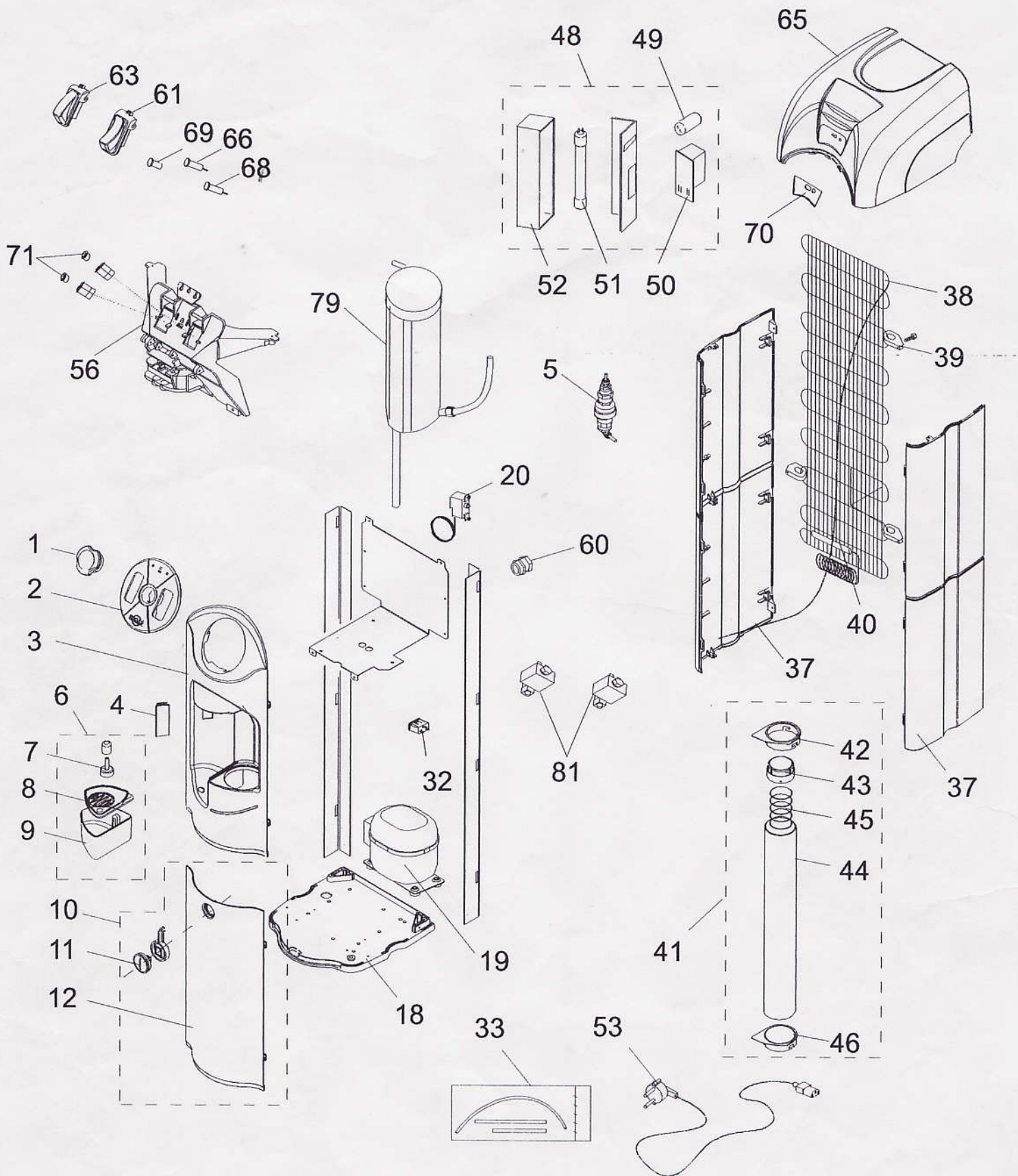


Connect 23 A - UV Connect 23 A



Connect23A 05-09-02 Rev 00

CODIGEL SAS
 Compagnie de Distribution Générale
 Z.I. Technoparc
 19 rue Charles Edouard Jeanneret
 78306 POISSY CEDEX
 Tél. 01 39 22 66 66 - Fax 01 39 11 05 49



UV Connect 23A

 REFERENCE
 CODIGEL

N.	Code	Référence	
1	2781572	EMBOUT	282781572
2	2781592	DISQUE	282781592
3	2781553	PIECE FRONTAL	282781553
4	2781561	PROTECTION PLASTIQUE UV	282781561
5	2521403	WATER BLOCK	282521403
6	090063	RECUEILLE GOUTTES COMPLET	28090063
7	2781558	FLOTTEUR	282781558
8	2781556	GRILLE	
9	2781557	RECUEILLE GOUTTES	
10	090064	PORTE COMPLETE	28090064
11	2781559	FERMETURE	282781559
12	2781554	PORTE	282781554
18	2781555	SOCLE	
19	1581182	COMPRESSEUR	
20	3824910	THERMOSTAT EAU FROID	283038
32	3824515	FICHE POUR CABLE D'ALIMENTATION	283824515
33	090077	SET TUBES SYLICON CONNECT A-H	28090077
37	2781549	FLANC ORANGE	282781549
37	2781547	FLANC GRIS FONCE	282781547
37	2781548	FLANC BLEU	282781548
37	2781546	FLANC BLANC	282781546
37	2781550	FLANC VERT CLAIR	282781550
38	1601134	CONDENSATEUR	
39	2781318	ETRIER POUR CONDENSATEUR	
40	2641412	FILTRE CUIVRE	
41	090089	DISTRIBUTEUR VERRE COMPLET	28092601
42	2781575	COUVERCLE AVEC JOINT	282781575
43	2781576	BOUCHON	
44	2781577	TUBE	
45	2781578	RESSORT	
46	2781531	FERMETURE	282781531
48	090090	BOITE UV COMPLETE	28092606
49	3822503	STARTER	283822503

50	3822501	ALIMENTATEUR	283822501
51	3822913	LAMPE UV	283822913
52	2781526	BOÎTE MÉTAL	
53	3821710	CABLE D'ALIMENTATION	283821710
56	2781564	SUPPORT POUR LEVIERS	282781564
60	2521414	BULKHEAD CONNECTEUR AVEC FILTRE	
61	2781568	TOUCHE FROIDE	282781568
63	2781579	TOUCHE TEMPEREE	282781579
63	2781151	RESSORT TOUCHE	282781151
65	2781586	COUVERCLE - BLANC	282781586
65	2781587	COUVERCLE - GRIS FONCE	282781587
65	2781588	COUVERCLE - BLEU	282781588
65	2781589	COUVERCLE - ORANGE	282781589
65	2781590	COUVERCLE - VERT CLAIR	282781590
66	3824517	LUMIÈRE VERTE	283824517
68	3824519	LUMIÈRE BLEU	283824519
69	3824520	FAUSSE LUMIÈRE	283824520
70	5561270	ETIQUETTE 'WATER COOLER SYSTEM'	285561270
70	5561271	ETIQUETTE 'FILTER SYSTEM'	
70	5561272	ETIQUETTE 'SAFETY SYSTEM'	
71	3822723	POUSSOIR ELECTRIQUE	283822723
79	815012064	EVAPORATEUR COAXIAL	2815012064
81	2641128	ELECTROVANNE	282641128

CODIGEL SAS

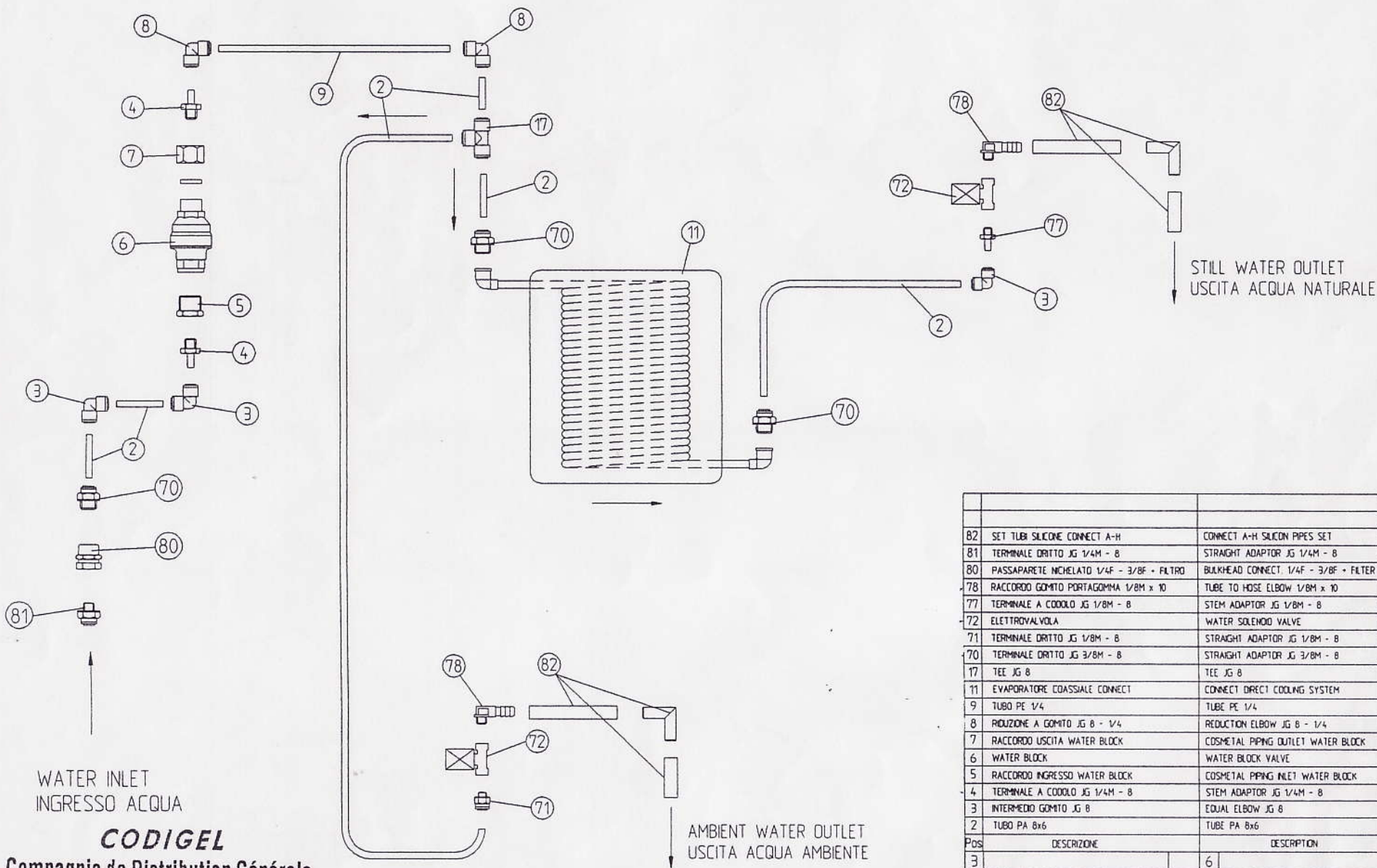
Compagnie de Distribution Générale

Z.I. Technoparc

19 rue Charles Edouard Jeanneret

78306 POISSY CEDEX

Tél. 01 39 22 66 66 - Fax 01 34 11 05 49



WATER INLET
INGRESSO ACQUA

CODIGEL

Compagnie de Distribution Générale

SOCIÉTÉ ANONYME
Z.I. Technoparc
19, rue Charles Ed. Jeanneret

CODIGEL 78306 POISSY CEDEX

Tél. 01 39 22 66 66 - Fax 01 39 11 05 49

82	SET TUBI SILICONE CONNECT A-H	CONNECT A-H SILICON PIPES SET	090077
81	TERMINALE DITTO JG 1/4M - 8	STRAIGHT ADAPTOR JG 1/4M - 8	2521362
80	PASSAPARETE NICHELATO 1/4F - 3/8F - FILTRO	BULKHEAD CONNECT 1/4F - 3/8F - FILTER	2521414
78	RACCORDO GOMITO PORTAGOMMA 1/8M x 10	TUBE TO HOSE ELBOW 1/8M x 10	2521325
77	TERMINALE A CODOLO JG 1/8M - 8	STEM ADAPTOR JG 1/8M - 8	2521373
72	ELETTROVALVOLA	WATER SOLENOID VALVE	2641128
71	TERMINALE DITTO JG 1/8M - 8	STRAIGHT ADAPTOR JG 1/8M - 8	2521375
70	TERMINALE DITTO JG 3/8M - 8	STRAIGHT ADAPTOR JG 3/8M - 8	2521360
17	TEE JG 8	TEE JG 8	2521364
11	EVAPORATORE COASSIALE CONNECT	CONNECT DIRECT COOLING SYSTEM	815012064
9	TUBO PE 1/4	TUBE PE 1/4	2801387
8	RIDUZIONE A GOMITO JG 8 - 1/4	REDUCTION ELBOW JG 8 - 1/4	2521407
7	RACCORDO USCITA WATER BLOCK	COSMETAL PIPING OUTLET WATER BLOCK	2521405
6	WATER BLOCK	WATER BLOCK VALVE	2521403
5	RACCORDO INGRESSO WATER BLOCK	COSMETAL PIPING INLET WATER BLOCK	2521404
4	TERMINALE A CODOLO JG 1/4M - 8	STEM ADAPTOR JG 1/4M - 8	2521394
3	INTERMEDIO GOMITO JG 8	EQUAL ELBOW JG 8	2521367
2	TUBO PA 8x6	TUBE PA 8x6	2801363
Pos	DESCRIZIONE	DESCRIPTION	CODE
3		6	
2		5	
1		4	
Rev.	Variazione	Data	Rev. Variazione Data
Macchina/e e Modello/i	Connect 23 A	Data	12.11.01
Dis. n°	Connect23A	Descrizione Particolare	SCHEMA IMPIANTO IDRICO
Formato	A4	Materiali	
		Trattamento Disegnato da U. Lucarini Nome File DWG: Connect23A	
QUESTO DISEGNO È TITOLATO DALLA LEGGE SUL COPYRIGHT - I TRASGRESSORI SARANNO PERSEGUITI A NORMA DI LEGGE			

12.11.02



H.C. CONNECT 23 A

N.	CODICE	DESCRIZIONE	DESCRIPTION		
2	2801363	TUBO PA 8x6	TUBE PA 8x6	1m	28 PEBD-N
3	2521367	INTERMEDIO GOMITO JG 8	EQUAL ELBOW JG 8		281372
4	2521394	TERMINALE A CODOLO JG 1/4M - 8	STEM ADAPTOR JG 1/4M - 8		28PM050812
5	2521404	RACCORDO INGRESSO WATER - BLOCK	COSMETAL PIPING INLET WATER - BLOCK		282521404
6	2521403	WATER -BLOCK	WATER - BLOCK VALVE		282521403 WATER BLOCK
7	2521405	RACCORDO USCITA WATER - BLOCK	COSMETAL PIPING OUTLET WATER - BLOCK		282521405
8	2521407	RIDUZIONE A GOMITO JG 8 - 1/4	REDUCTION ELBOW JG 8 - 1/4		28PM210806 282521407
9	2801387	TUBO PE 1/4	TUBE PE 1/4	1m	2801387
11	815012064	EVAPORATORE COASSIALE	DIRECT COOLING SYSTEM		2815012064
17	2521364	TEE JG 8	TEE JG 8		281364
70	2521360	TERMINALE DRITTO JG 3/8M - 8	STRAIGHT ADAPTOR JG 3/8M - 8		281360
71	2521375	TERMINALE DRITTO JG 1/8M - 8	STRAIGHT ADAPTOR JG 1/8M - 8		28PM010811
72	2641128	ELETTROVALVOLA	WATER SOLENOID VALVE		282641128
77	2521373	TERMINALE A CODOLO JG 1/8M - 8	STEM ADAPTOR JG 1/8M - 8		28PM050811
78	2521325	RACCORDO GOMITO PORTAGOMMA 1/8M x 10	TUBE TO HOSE ELBOW 1/8M x 10		282521325
80	2521414	PASSAPARETE NICHELATO 1/4F - 3/8F + FILTRO	BULKHEAD CONNECTOR 1/4F - 3/8F + FILTER		
81	2521362	TERMINALE DRITTO JG 1/4M - 8	STRAIGHT ADAPTOR JG 1/4M - 8		281362 ou 28PI010802 (1/4M x 1/4")
82	090077	SET TUBI SILICONE CONNECT A-H	CONNECT A-H SILICON PIPES SET		28090077

77+3 RACCORD METAL COUDE 1/8M - 8

282521440

78 RACCORD METAL COUDE SORTIE ELECTROVANNE

282521439

71 RACCORD METAL DROIT 1/8M - 8

282521441